

FLYNT
PUMP COMPANY

MKIV SERIES PUMPS LESS VOLUTE



AVAILABLE IN 1/4HP
1/3HP 1/2HP
3/4HP **1HP**



**MADE IN
THE USA
FLYNT
PUMP CO**



INTRODUCES THE MKIV SERIES^{PLV}

The MKIV^{PLV} is the perfect retrofit service solution to a multitude of OEM and aftermarket pumps, whether they be boiler header mounted or inline applications utilizing the existing casing

With built in standard features such as stainless steel seal plate and shaft, and TEFC motors, the MKIV^{PLV} is perfectly suited for service in DHW, Hydronic Heating and Cooling Systems as well as Commercial Pool applications, INDOOR and OUT

Standard impeller diameters from 4" through 5.25", optional in stainless steel, and standard motor HP from 1/4 through 1, with single or three phase available, the vast majority of No. 5 style applications are covered

The MKIV^{PLV} is a direct coupled design eliminating the need for a "module" or "cartridge", the primary point of maintenance and failure in other designs



- ★ DIRECT COUPLED MAINTENANCE FREE
- ★ NEMA STANDARD 56C MOTOR
- ★ TEFC ENCLOSURE STANDARD
- ★ CARTRIDGE-LESS DESIGN
- ★ "ALL BRONZE" STANDARD
- ★ 3 PHASE AVAILABLE

**WITH IT'S TOUGH
DESIGN, INDUSTRY
LEADING STANDARD
FEATURES AND 13
STANDARD MODELS TO
CHOOSE FROM, FLYNT
HAS YOU COVERED
WITH THE
MKIV SERIES**

BOILER MOUNTED HEADER PUMPS

FLYNT	ARMSTRONG	TACO	RAYPAK	LAARS
MKIVFT6E	RAYPAK 1, 110108-675			RA2117201
MKIVAT6E			009296F	
MKIVAT1E		HPK-D-100S , 1630-S52	004844F	RA2117202
MKIVAT2E	RAYPAK 2, 110108-677			
MKIVAT3E		1630-S46 , 1630-S47	004845F	
MKIVBT2E	RAYPAK 3, 110108-717	HPK-D-102S		
MKIVBT3E				RA2117203
MKIVBT5E		1630-S48 , 1630-S49		
MKIVCT5E				RA2117204

INLINE MOUNTED PUMP REPLACEMENT LESS VOLUTE

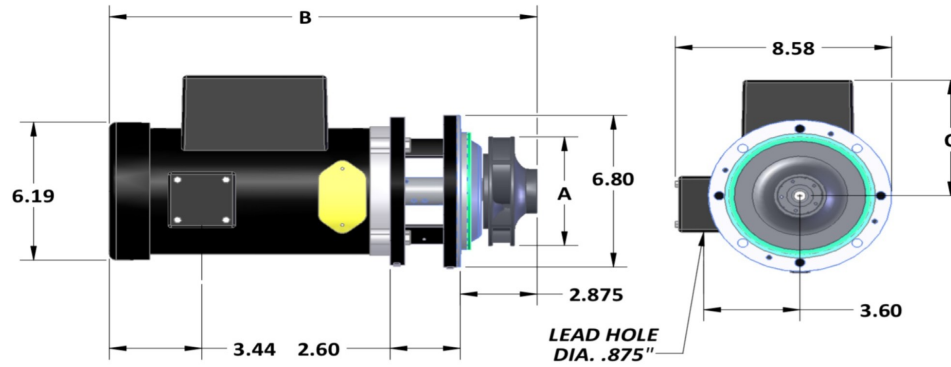
FLYNT	ARMSTRONG	TACO	B&G	LOCHINVAR	RBI
MKIVGT7E	H-51	RPK-D-102	60-11		
MKIVFT8E	H-52	RPK-D-103	60-2		
MKIVAT9E	H-53	RPK-D-103	60-13		
MKIVAT3E	S-55 , 2B1050	RPK-D-100S	PD-35	ARM3022 , ARM3024 ARM3025	12-0504 , 12-0509 12-0514 , 12-0519
MKIVBT5E	S-57 , H-54, 2B1050	RPK-D-101S	PD-37 , 60-14	ARM3072 , ARM3077	12-0505 , 12-0522 12-0515 , 12-0520

- MARK IV SERIES PUMPS ARE SINGLE PHASE, DUAL VOLTAGE, TEFC STANDARD (E1)
- STANDARD CONSTRUCTION INCLUDES COMPOSITE IMPELLER; STAINLESS STEEL OPTIONAL (S)
- ALL MARK IV SERIES PUMPS AVAILABLE IN 3 PHASE (E3)



MKIV SERIES

DIMENSIONAL DATA IS APPROXIMATE



MODEL	A	B	INSTALLED LENGTH	C	HP	WEIGHT
MKIVGT7E1	5.00"	15"	12"	2.85"	1/4	24 LBS
MKIVFT6E1	4.00"	15"	12"	2.85"	1/3	25 LBS
MKIVFT8E1	5.25"	15"	12"	2.85"	1/3	25 LBS
MKIVAT6E1	4.00"	15"	12"	2.85"	1/2	30 LBS
MKIVAT1E1	4.25"	15"	12"	2.85"	1/2	30 LBS
MKIVAT2E1	4.50"	15"	12"	2.85"	1/2	30 LBS
MKIVAT3E1	4.75"	15"	12"	2.85"	1/2	30 LBS
MKIVAT9E1	5.25"	15"	12"	2.85"	1/2	30 LBS
MKIVBT2E1	4.50"	16"	13"	5.18"	3/4	35 LBS
MKIVBT3E1	4.75"	16"	13"	5.18"	3/4	35 LBS
MKVIBT4E1	4.90"	16"	13"	5.18"	3/4	35 LBS
MKIVBT5E1	5.25"	16"	13"	5.18"	3/4	35 LBS
MKIVCT5E1	5.25"	16.75"	13.75"	5.55"	1	41 LBS

DIMENSIONS LISTED ARE FOR STANDARD BUILD, SINGLE PHASE, TEFC. ACTUAL DIMENSIONS MAY VARY AND ARE FOR INFORMATIONAL PURPOSES ONLY. FLYNT PUMP COMPANY RESERVES THE RIGHT TO MAKE CHANGES TO IT'S PRODUCTS, AT ANYTIME, WITHOUT NOTIFICATION.